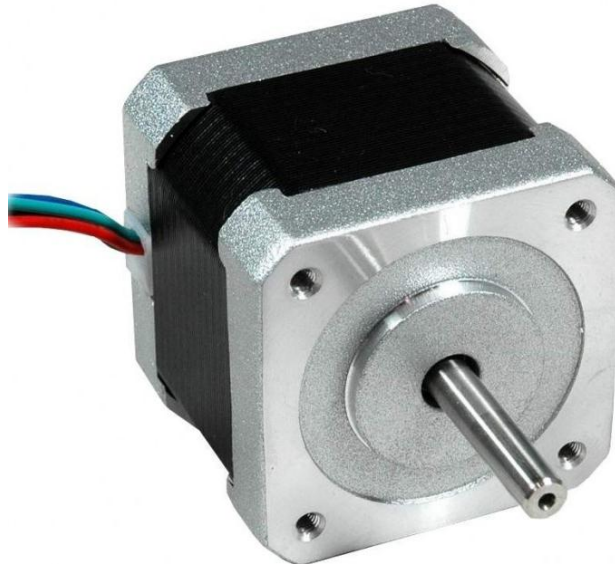


Created 29<sup>th</sup> November 2014

## NEMA17 42mm Bi-Polar Stepper Motor



### Features:

- 2 phases hybrid
- 4 wires
- "D" shape shaft
- Origin: Taiwan

### Specification:

<b>Step Angle Accuracy</b>	±5%
<b>Resistance Accuracy</b>	±10%
<b>Inductance Accuracy</b>	±20%
<b>Temperature Rise</b>	80°C Max.
<b>Ambient Temperature</b>	-20°C ~ +50°C
<b>Insulation Resistance</b>	100MΩ Min. 500V DC
<b>Dielectric Strength</b>	500V AC 1minute

<b>Stock Code</b>	<b>Step Angle (°)</b>	<b>Rated Current (A)</b>	<b>Phase Resistance (Ω)</b>	<b>Phase Inductance (mH)</b>	<b>Holding Torque (N.cm)</b>	<b>Detent Torque (N.cm)</b>	<b>Rotor Inertia (g.cm<sup>2</sup>)</b>
1028600	1.8	0.4	30	35	28	1.6	34
1028601	1.8	1.3	3.2	5.5	52	2.6	68

\*Pictures may vary with actual products.

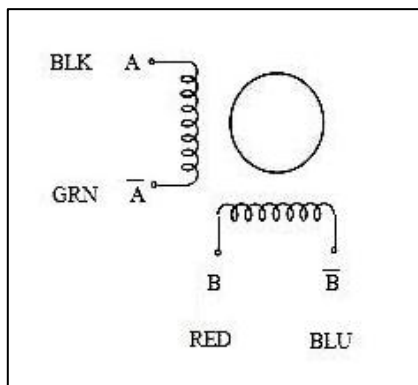
Category: AC/DC Motor

Sub Category: Stepper Motor

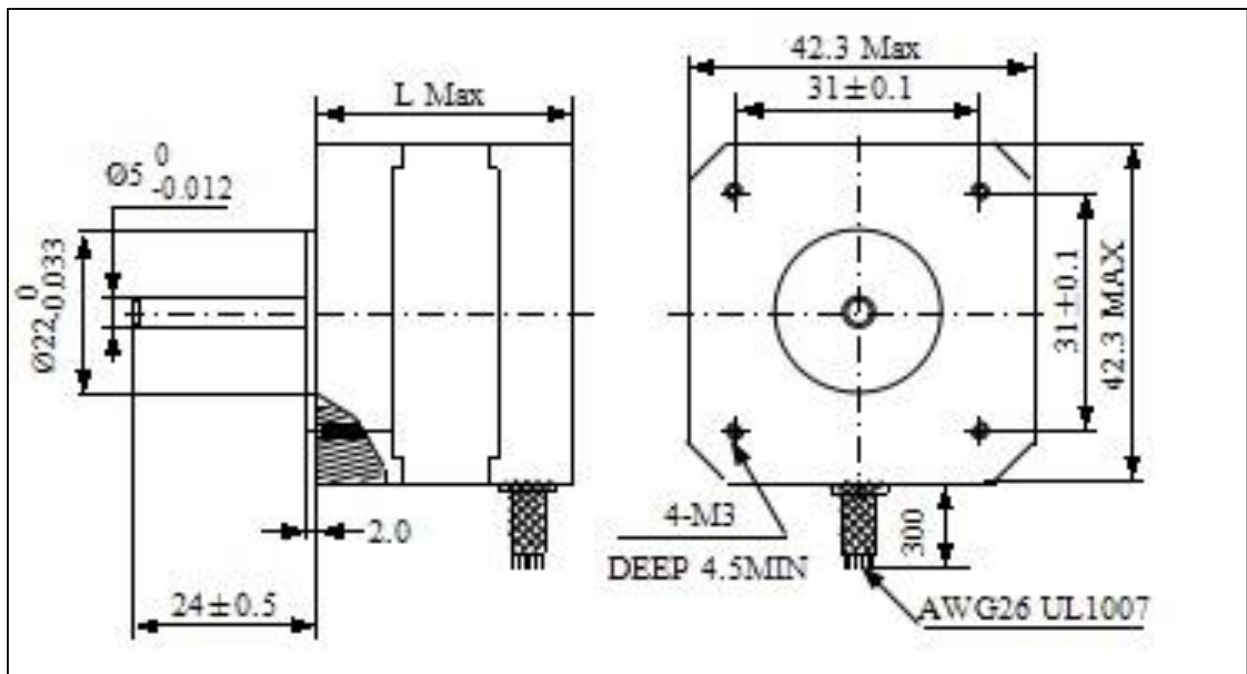
Stock Code	Motor Length (mm, L)	Lead Wire (No.)	Motor Weight (g)
1028600	34	4	220
1028601	48	4	350

1028601 can be used in 3D printer application.

### Wiring Diagram:



### Dimension:



\*Pictures may vary with actual products.

Destiny Electronic Centre (Butterworth & Penang Island)

[www.destiny-electronic.com.my](http://www.destiny-electronic.com.my)